

MATERIAL SPECIFICATION

VOCAB NUMBER	ITEM DESCRIPTION
132020	PIN, SERVICE FUSE, PIG TAIL OR COMBINATION J-HOOK TYPE

SPECIFICATION DETAILS

In accordance with PNG Power Drawing SC-3/14 item 1 and the specification notes on the drawing.

- **Unit of Measure:** Set
- **Rejection:** PNG Power Ltd reserves all rights to reject whole or part of the order not complying with this specification and is not liable for any cost or loss with the return of rejects to the Supplier. Facilitation of Invoice Credit must commence between the supplier and PNG Power Ltd through the process of PNG Power Ltd Discrepancy Report provisions.

Drawing References: PNG POWER SC-3/14

Manufacturer's Product Code:


ENGINEERING STANDARDS APPROVAL

Approval by: Grevasius Peni
Chairman

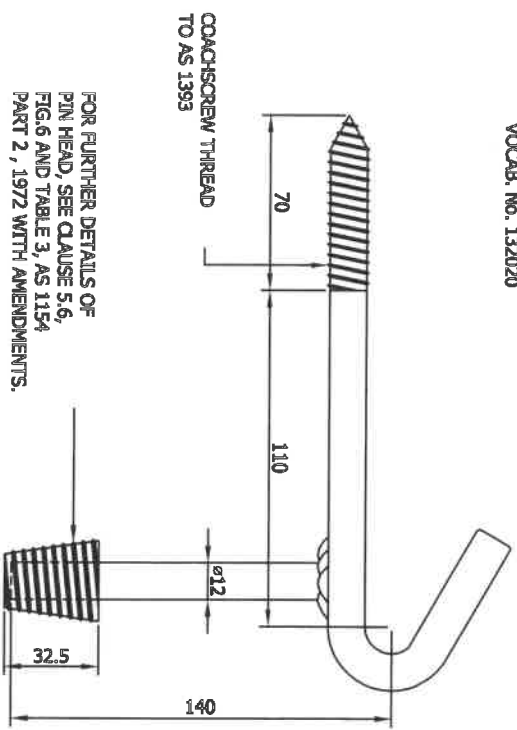
Signature: 

Date: 10 / 7 / 19

DATA REVIEW ENDORSEMENT

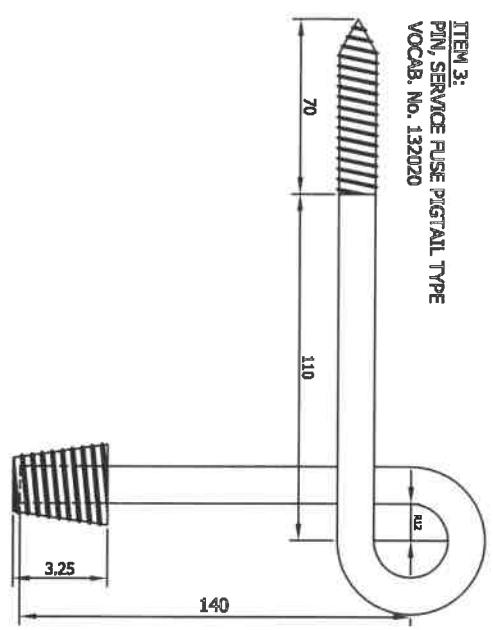
NAME	TITLE	SIGNATURE	DATE
Rawali Rawali	Engineer - Standards and Materials		8/7/17

ITEM 1:
PIN, SERVICE FUSE COMBINATION
VOCAB. No. 132020

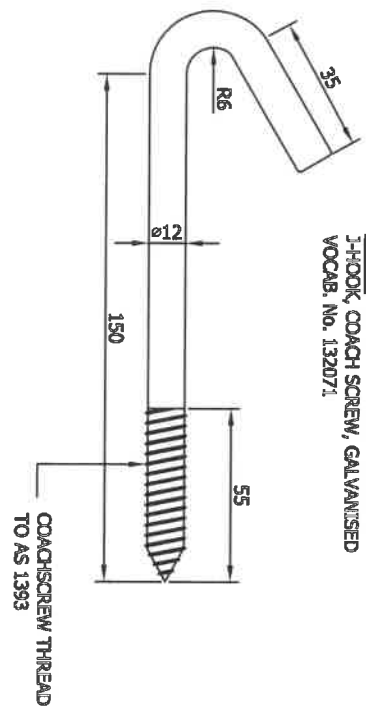


FOR FURTHER DETAILS OF PIN HEAD, SEE CLAUSE 5.6, FIG.6 AND TABLE 3, AS 1154 PART 2, 1972 WITH AMENDMENTS.

ITEM 3:
PIN, SERVICE FUSE PIGTAIL TYPE
VOCAB. No. 132020



ITEM 2:
HOOK, COACH SCREW, GALVANISED
VOCAB. No. 132071



NOTES-

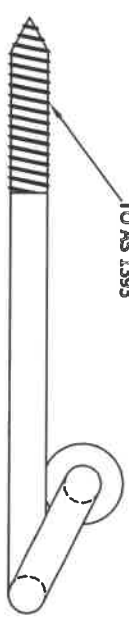
MATERIALS:- PINS TO BE FORGED FROM HOT ROLLED CARBON STEEL GRADE, AS1442 OR EQUIVALENT(MIN. UTS 470MPa)

HEAD TO BE LEAD ALLOY, 95% LEAD & 5% ANTIMONY, PLASTIC OR SIMILAR MATERIAL.

PROTECTION:- PINS TO BE HOT DIP GALVANISED, THE MASS & QUALITY OF COATING AND THE FINISH OF THREADS TO MEET REQUIREMENTS OF AS1214

GENERAL DIMENSIONS:-

- a) ALL DIMENSIONS ARE IN MILLIMETRES
- b) TOLERANCES UP TO AND INCLUDING:-
DIMENSIONS 40mm ±1mm
DIMENSIONS 40mm ±.3%



CAD Feature		Rev.	Revision	By	Date
A. ORIGINAL ISSUE				QF	07/02/2019
B. REVIEWED AND UPDATED					
C.					
D.					
E.					

Drawn	QUNIVA	Location	STANDARDS & MATERIALS DESIGNS
Checked	QF	Title	SERVICE HARDWARE
Endored	ROHAWU	Number	SC - 3/14
Approved	GENU	Revision	

Quantity	1
Material	STEEL
Part No.	SC - 3/14
Rev.	1 OF 1



PNP POWER Ltd
PO Box 1105 BOROBUKO NO.3, Papua New Guinea
Telephone: (675) 324 3200
Facsimile: (675) 325 0185
E-mail: pnpower@pnpower.com.pg