

MATERIAL SPECIFICATION

VOCAB NUMBER	ITEM DESCRIPTION
134053	SHROUD, TRANSFORMER BUSHING, LV (SMALL)

SPECIFICATION DETAILS

Black, polyethylene shields for transformer bushings.

To fit ESSA Standard, 415 Volts, 100 amps, bushing (ESSA drawings 2/3/2B, Elcom SC-1/15).

To be suitable for outdoor use in a tropical environment at altitudes up to 3000m.

Full dimensioned drawings and description of product to be provided with tender.

- **Unit of Measure:** Metres
- **Rejection:** PNG Power Ltd reserves all rights to reject whole or part of the order not complying with this specification and is not liable for any cost or loss with the return of rejects to the Supplier. Facilitation of Invoice Credit must commence between the supplier and PNG Power Ltd through the process of PNG Power Ltd Discrepancy Report provisions.

Drawing References:

Manufacturer's Product Code:

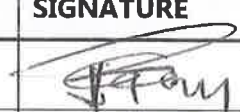

STANDARDS COMMITTEE APPROVAL

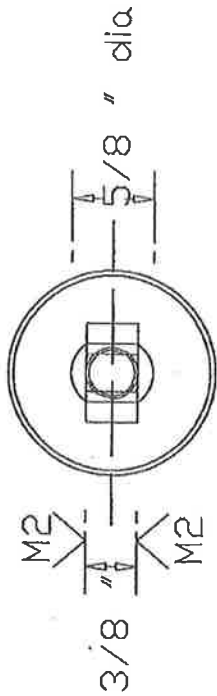
Approval by Alex Oa
Chairman

Signature: 

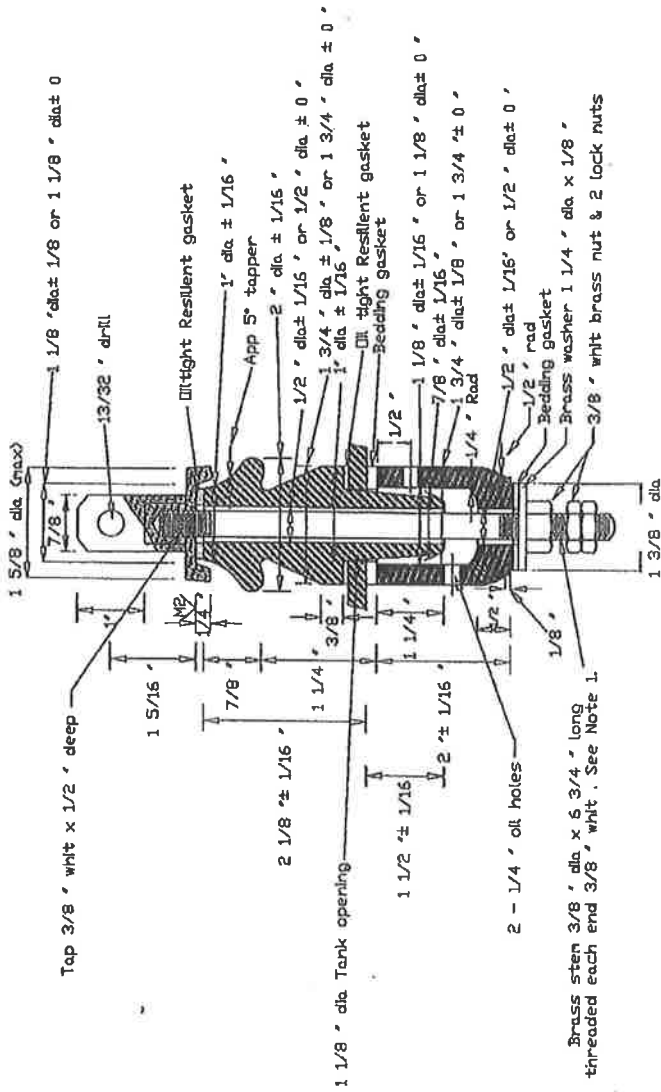
Date: 22/6/16

DATA REVIEW ENDORSEMENT

NAME	TITLE	SIGNATURE	DATE
Grevasias Peni	Team Leader Standards & Materials		16/6/16
G. Peni	//		29/08/20



PLAN VIEW OF CAP ONLY

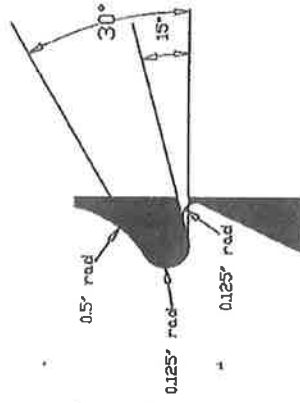


NOTES:

1. Stem material Brass having a specific resistance not exceeding seven (7) microhms per cubic cm.
2. Stem to be screwed and sweated into bushing cap.
3. All porcelain surfaces in contact with gaskets to be ground perfectly flat and square with axis of bushing.
4. Brass cap to be of non-porous alloy tested at 15 psi
5. Porcelain to be glazed brown.
6. $\frac{1}{2}$ " V = Medium machined
7. Oil tight resilient gasket SRBC (Hardness N.P 50 or N.P 40) or similar.
8. Bedding gasket pressboard or similar.

ELECTRICAL CHARACTERISTIC.

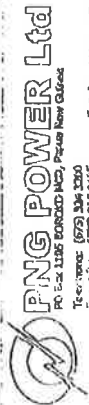
- Max amps 100
- Dry flashover 31kV
- Wet flashover 14kV
- Impulse flashover 1/50 -ve 76kV
- Impulse flashover 1/50 +ve 63kV
- Creepage distance 2.8 inches



DETAILS OF SHEDS OF BUSHING

DRAWING NOT TO SCALE - ALL DIMENSIONS IN INCHES

C/O Parameters		Revisions		By		Date		STANDARDS & MATERIALS	
1	AUTOCAD/SC/12/2016	1	ORIGINAL DRAWING	A.A.	A.P.	22/02/16		Location	Assembly of 415V to 860V 100 Amps Standard
2	Revised	2	Revised drawing	L.S.	L.S.	14/02/16		Title	Distribution transformer bushing
3	Revised	3	Revised drawing					Checked	A3
4	Revised	4	Revised drawing					Reviewed	20/03/16
5	Revised	5	Revised drawing					Approved	20/03/16
								Number	SC 1/15
								Revision	
								Sheet	



PING POWER Ltd
 PO Box 1235 BORDO MD, Peace Now Estate
 Tel: +975 (075) 336 3300
 Fax: +975 (075) 336 0365
 E-mail: pingpower@gmail.com