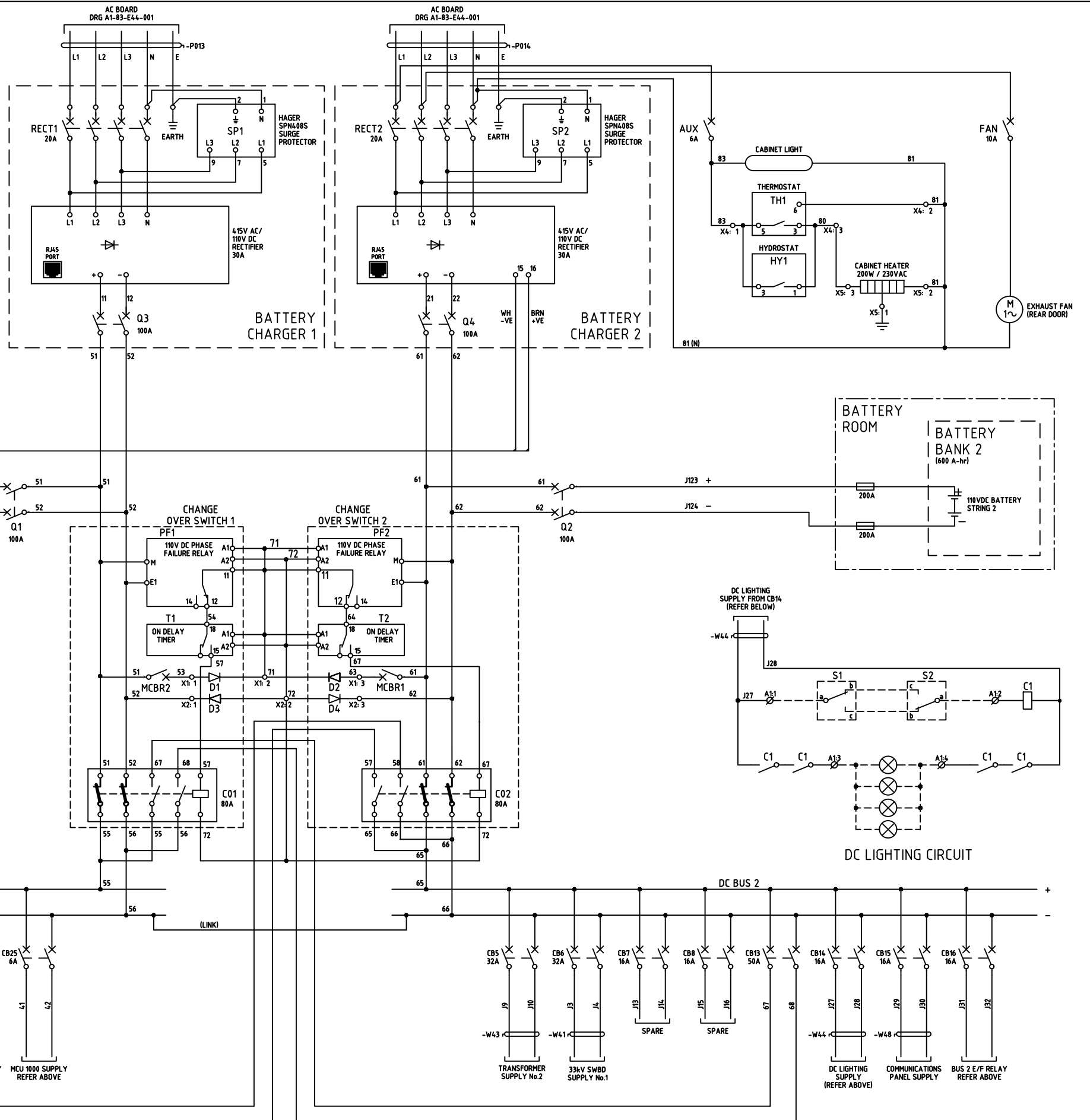


- NOTES:
- BATTERY CHARGER 1 TO NORMALLY SUPPLY DC BUS 1
BATTERY CHARGER 2 TO NORMALLY SUPPLY DC BUS 2
 - IF ONE SUPPLY FAILS, THE ALTERNATE SUPPLY WILL POWER BUS 1 & BUS 2. IF THE FAILED SUPPLY IS RESTORED THE NORMAL SUPPLY CONDITIONS OF NOTE 1 WILL OCCUR
 - WIRING COLOUR CODES - CONTROL WIRING
+110VDC - BROWN
-110VDC - BLUE
 - WIRING COLOUR CODES - POWER WIRING
+110VDC - BLACK CABLE WITH RED HEATSHRINK ENDS
-110VDC - BLACK CABLE WITH BLUE HEATSHRINK ENDS



No.	REVISION	DATE	BY	CHK	PSD	APP
0	ISSUED FOR APPROVAL.	24.11.20	DN			

REFERENCE	DRAWING No.	TITLE

DRAWN	DESMON.N	24/11/20
CHECKED	K.PRASAD	
CHIEF DRAUGHTSMAN		
TEAM LEADER		
ENGINEER	K.PRASAD	
HEAD OF DEPARTMENT	O.D.S	

ENERGY FIJI LIMITED

WAITOLU 33kV/11kV SUBSTATION
110V DC BATTERY CHARGER & DIST.
BOARD - SCHEMATIC DIAGRAM

DRAWING NUMBER	A383 E22001 0
SCALE	NTS